



TPS GARDENING PUMPS

- Liquid temperature : 0~40°C / 32~104°F
- HP range : 1/10~1/4HP / 80~200W
- PH : 6~8
- Rated Speed : 2900 / 3450 rpm
- Protection class : IP68
- Maximum depth : 8M

Features

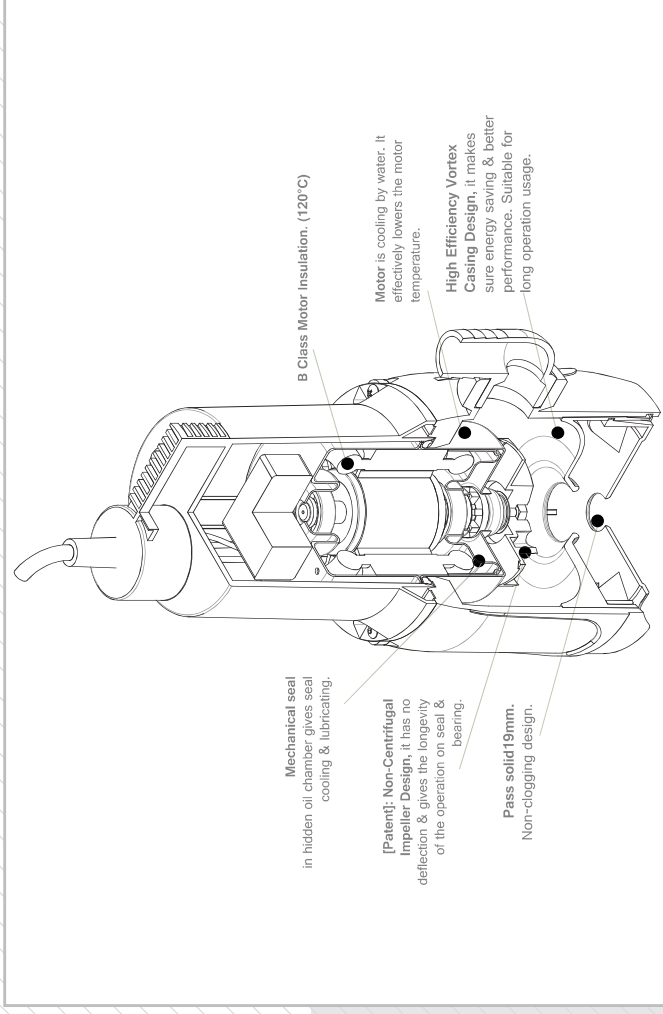
- 1 - Power cable export insulation treatment. No leaking issue.
- 2 - All material is engineering plastic. No rusty issue.

Applications

- 1 - Aquaculture for 24 hours operation
- 2 - Garden landscaping for 24 hours operation
- 3 - Wastewater discharge for 24 hours operation



Sectional View

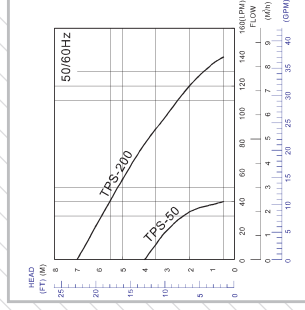


Standard Accessories

Model No.	Accessories
TPS-50	Hose connection
TPS-200	L-shaped hose connection

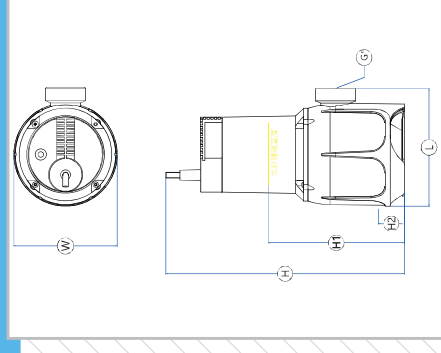


Curve



Dimension

Model	Dimension					
	L	W	H	H1	H2	G
TPS-50	113	114	253	145	13	3/4
TPSV-200	168	147	340	194	37	1-1/4
TPSV-600	171	155	402	251	43	1-1/4



Specification

Model No.	Output	Outlet	Pass solid (mm)	Max Flow(LPM)	LPM Flow @ Head	Max Head(M)	Dimension L x W x H(mm)	Weight Kg
TPS-50	1/10	80	20	3/4"	5	40	114 x 114 x 253	2.5
TPS-200	1/4	200	32	1-1/4"	5	140	168 x 146 x 288	3.6

Remarks: Model with "A" is equipped with wide angle float switch
Remarks: Model with "S" is for sea water.