



TAS

DIRTY WATER PUMP

- Liquid temperature : 0~40°C / 32~104°F
- HP range : 1/3~1HP / 250~750W
- PH : 6~8
- Rated Speed : 2900 / 3450 rpm
- Protection class : IP68
- Maximum depth : 8M

Features

- 1 - Non-Clogging Vortex Impeller
- 2 - Multi-Purpose Dirty Water Pump
- 3 - Drain Water to the Lowest Level



Specification

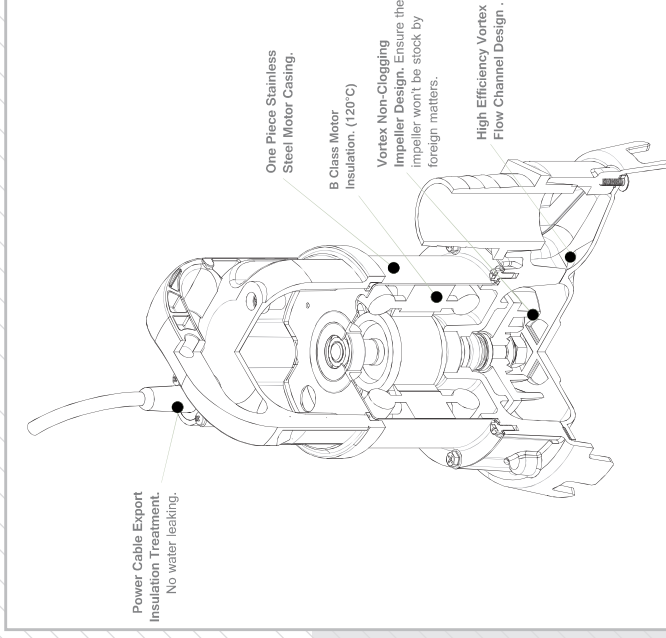
Model No.	Output			Pass Solid (mm)	Max Flow (LPM)	LPM Flow @ Head			Max Head (M)	Dimension L x W x H (mm)	Weight Kg	
	HP	W	inch			3M	4.5M	6M				9M
TAS-250	1/3	250	4.0	14	270	250	210	155	-	7.5	225 x 145 x 282	8
TAS-400	1/2	400	5.0	14	320	300	270	230	170	7.5	250 x 162 x 300	9
TAS-750	1	750	5.0	14	340	320	290	250	195	11	250 x 162 x 325	10

Model No.	Output			Pass Solid (mm)	Max Flow (LPM)	LPM Flow @ Head			Max Head (M)	Dimension L x W x H (mm)	Weight Kg	
	HP	W	inch			3M	4.5M	6M				9M
TAS-250	1/3	250	4.0	14	270	250	210	155	-	7.5	225 x 145 x 282	8
TAS-400	1/2	400	5.0	14	320	300	270	230	170	7.5	250 x 162 x 300	9
TAS-750	1	750	5.0	14	340	320	290	250	195	11	250 x 162 x 325	10

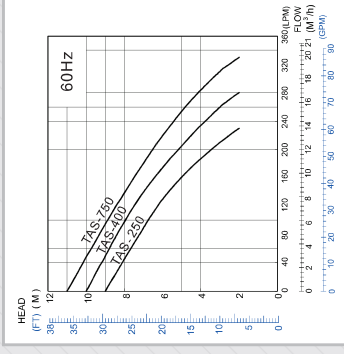
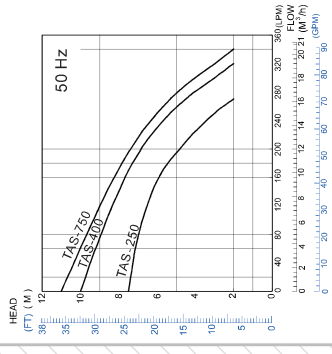
50Hz

60Hz

Sectional View



Curve



Standard Accessories

Model No.	Accessories
TAS-250	Hose connection
TAS-400	Hose connection
TAS-750	Hose connection



Dimension

Model	Dimension					
	L	W	H	H1	H2	G
TAS-150	225	163	282	164	85	83
TAS-250	225	163	282	164	85	83
TAS-400	250	178	323	168	84	84
TAS-750	250	178	353	186	78	84

