

SWP Series Swimming pool pump

SUPER LARGE AMOUNT OF WATER SWIMMING POOL

+



Feature

- High quality engineering grade plastic steel material
- Large flow design, efficient work
- More comfortable water environment
- Large flow design, efficient work
- Motor grade F, Improve durability
- Union design, easy to clean and install.
- Maximum suction: 2.5M

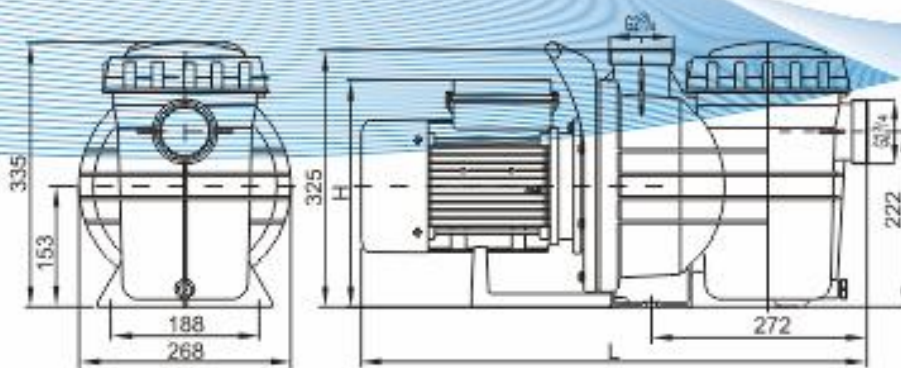
Applications

- Circulating water system
Aquaculture circulating water filtration
- Swimming pool pump
Pool and SPA system

+

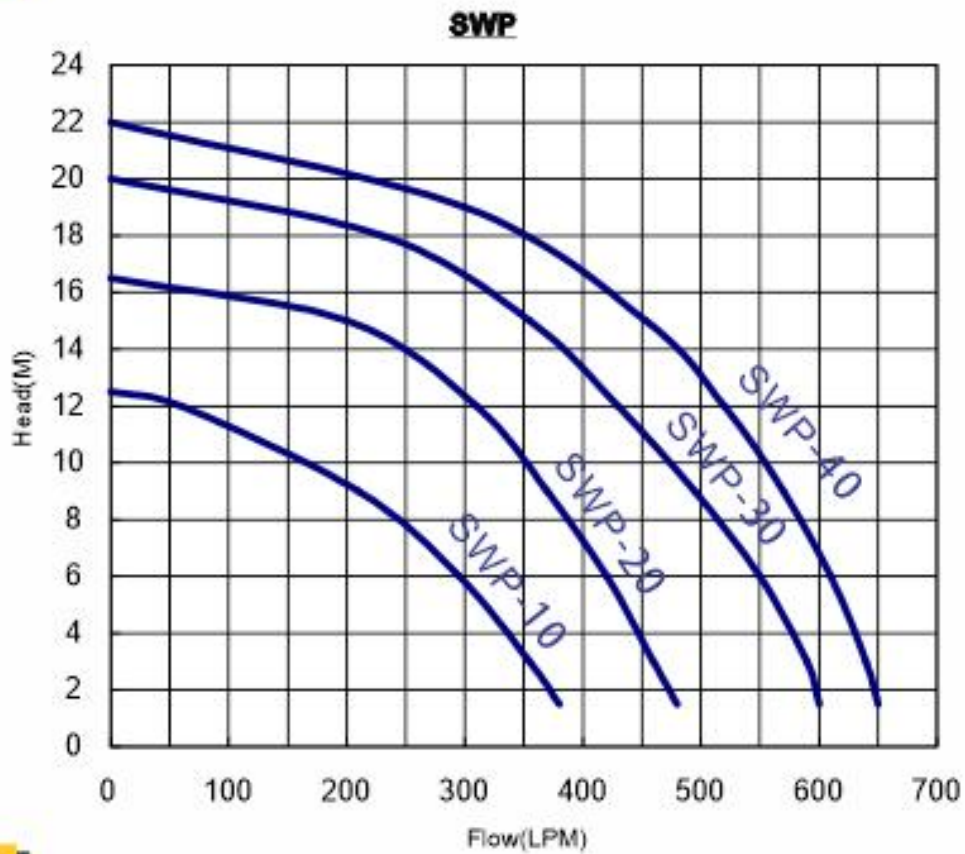
More comfortable water environment

Dimension



Dimension		
Model	L	H
	SWP-10	603
SWP-20	603	267
SWP-30		
SWP-40	640	288

Curve



Specification

Model No.	Output		Outlet		Pass solid (mm)	Max Flow(LPM)	LPM Flow @ Head					Max Head(M)	Weight Kg
	HP	KW	mm	inch			3M	6M	9M	12M	15M		
SWP-10	1	0.75	50	2"	N/A	380	355	295	210	80	-	12.5	15.8
SWP-20	2	1.5	50	2"	N/A	480	460	420	370	310	200	16.5	18.8
SWP-30	3	2.2	50	2"	N/A	800	590	550	495	430	355	20	22
SWP-40	4	3	50	2"	N/A	850	640	610	570	520	450	22	25.3