



SS

STAINLESS STEEL INDUSTRIAL PUMPS

- Liquid temperature : 0~40°C / 32~104°F
- HP range : 1/3~1HP / 250~750W
- PH : 5~9
- Rated Speed : 2900 / 3450 rpm
- Protection calss : IP68
- Maximum depth : 8M

Features

1. The material is stainless steel which can endure light acid and alkali.
2. The waterproof material is all use VITON.
3. The shaft material is SUS316.
4. Motor-cooling design.

Applications

1. Dyeing and finishing plant & Paint factory
2. Sewage and wastewater discharge containing chemicals

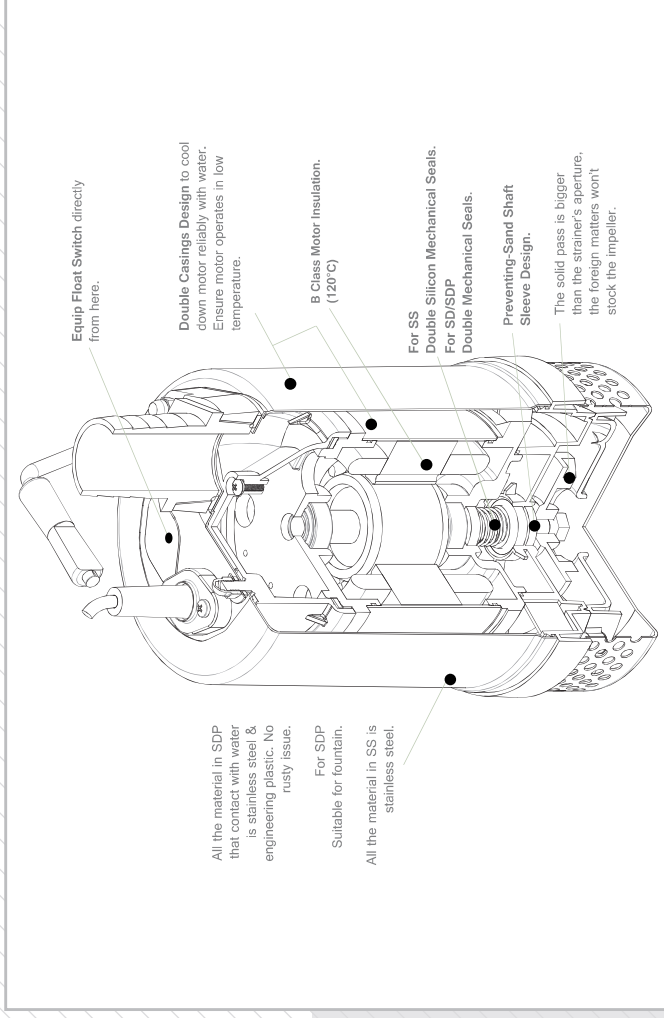


Specification

Model No.	Output HP	Output W	Outlet Dia(mm)	Pass Solid Dia(mm)	Max Flow(LPM)	LPM Flow @ Head	Max Head(M)	Dimension L x W x H(mm)	Weight Kg
SS-250	1/3	250	50 2"	7	220	1.5M 215 3M 197 6M 130 9M -	9	181 x 181 x 340	12
SS-400	1/2	400	50 2"	7	240	1.5M 237 3M 225 6M 180 9M 100	11	181 x 181 x 340	12
SS-750	1	750	50 2"	7	300	1.5M 295 3M 280 6M 240 9M 185	15	181 x 181 x 343	15

Remarks: Model No. ends with "A" is equipped with float switch.

Sectional View

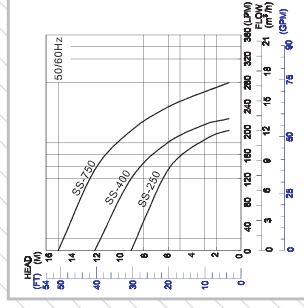


Standard Accessories

Model No.	Accessories
SS-250	Flange
SS-400	Flange
SS-750	Flange



Curve



Dimension

Model	Dimension				
	W	H	H1	H2	G
SS-250	mm	mm	mm	mm	inch
SS-400	185	350	270	325	2
SS-750	185	350	255	325	2
	185	365	285	340	2

