



MH GARDENING PUMP

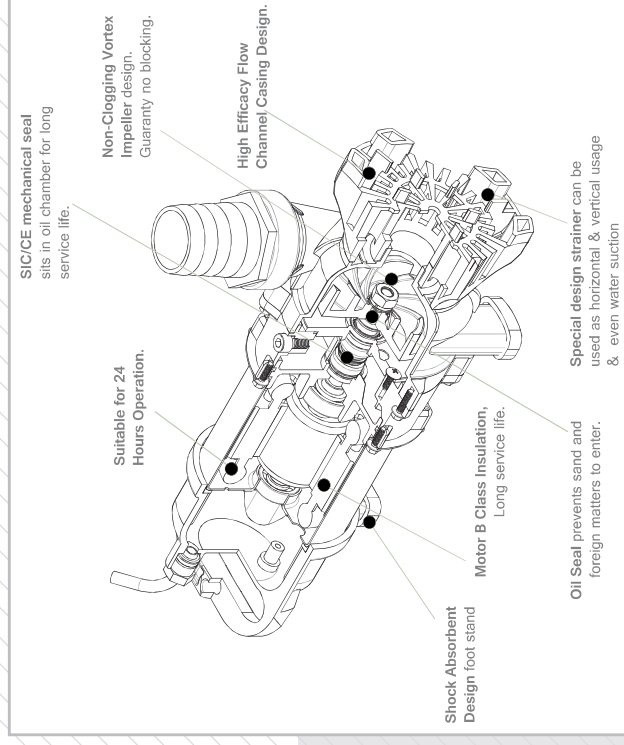
- Liquid temperature : 0~40°C / 32~104°F
- HP range : 1/5~1HP / 150~750W
- PH : 6~8
- Rated Speed : 2900 / 3450 rpm
- Protection class : IP68
- Maximum depth : 8M

Features

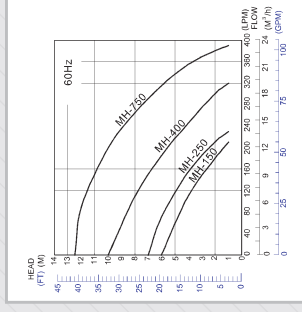
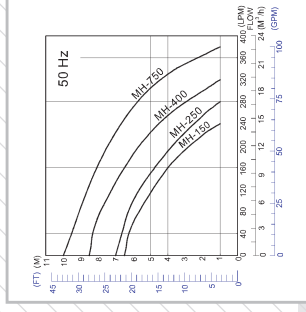
- 1 - Horizontal & vertical gardening pump
- 2 - With this PIN cable design, it is sealed hermetical that can prevent water leak in.
- 3 - Non-clogging vortex impeller.



Sectional View



Curve



Standard Accessories

50Hz		60Hz	
Model No.	Accessories	Model No.	Accessories
MH-150	Hose connection	MH-150	Hose connection
MH-250	Hose connection	MH-250	Hose connection
MH-400	Hose connection	MH-400	Hose connection
MH-750	Hose connection	MH-750	Hose connection



Applications

- 1 - Garden landscaping design

Specification

Model No.	Output HP	W	Outlet mm	Pass solid (mm)	Max Flow(LPM)	LPM Flow @ Head				Max Head(M)	Dimension L x W x H(mm)	Weight Kg	
						2M	4M	6M	8M				10M
MH-150	1/5	150	50	2"	6	240	220	160	60	-	6.5	177 x 162 x 379	6.5
MH-250	1/3	250	50	2"	6	280	255	190	100	-	7	177 x 162 x 379	7
MH-400	1/2	400	50	2"	6	320	300	255	185	70	8.5	177 x 162 x 399	8
MH-750	1	750	50	2"	6	380	365	330	270	165	10	177 x 162 x 414	11

Model No.	Output HP	W	Outlet mm	Pass solid (mm)	Max Flow(LPM)	LPM Flow @ Head				Max Head(M)	Dimension L x W x H(mm)	Weight Kg	
						2M	4M	6M	8M				10M
MH-150	1/5	150	50	2"	6	210	180	110	-	-	6	177 x 162 x 379	6.5
MH-250	1/3	250	50	2"	6	230	210	155	70	-	7	177 x 162 x 379	7
MH-400	1/2	400	50	2"	6	320	300	245	185	110	10	177 x 162 x 399	8
MH-750	1	750	50	2"	6	390	380	355	315	265	12.5	177 x 162 x 414	11

Dimension

Model	Dimension									
	L	W	H	H1	H2	H3	H4	G		
MH-150	175	162	407	396	387	376	237	88	60	2
MH-250	175	162	407	396	387	376	237	88	60	2
MH-400	175	162	427	416	407	396	257	88	60	2
MH-750	175	162	442	431	422	411	267	88	60	2

