

# LSJ

## STAINLESS STEEL JET PUMPS

- Liquid temperature : 0~40°C / 32~104°F
- HP range : 1/2~1HP / 400~750W
- PH : 6~8
- Rated Speed : 2900 / 3450 rpm
- Protection class : IP55
- Maximum suction : 9M

### Features

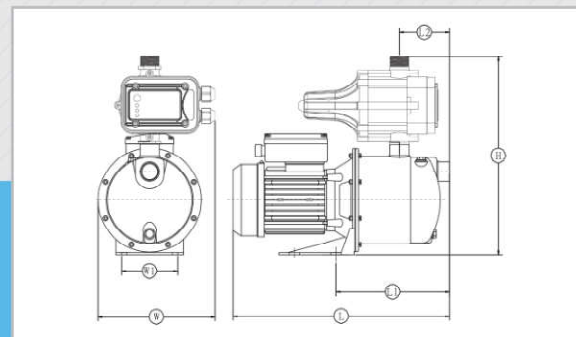
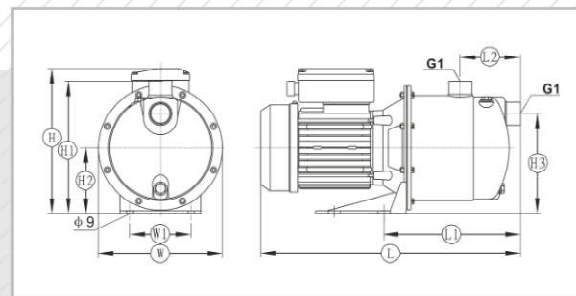
- 1 · All stainless steel design, no leaking issue.
- 2 · Jet pump design, suction depth is 9 m.

### Applications

- 1 · Domestic pump
- 2 · Domestic booster
- 3 · Suck water from deep well (suction depth of about 9 m)
- 4 · RO reverse penetration
- 5 · Automatic sprinkler (with control switch)

### Dimension

Model	Dimension								
	W	W1	L	L1	L2	H	H1	H2	H3
	mm	mm	mm	mm	mm	mm	mm	mm	mm
LSJ-05	170	100	365	197	88	195	178	88	128
LSJ-05E	170	100	365	197	88	328	-	-	-
LSJ-10	184	98	354	160	80	228	202	98	148
LSJ-10E	184	98	354	160	80	378	-	-	-



### Specification

Model No.	Output HP	Outlet W	Outlet mm	Outlet inch	Max Flow (LPM)	LPM Flow @ Head					Max Head(M)	Dimension L x W x H(mm)	Weight Kg
						5M	10M	15M	20M	30M			
LSJ-05	1/2	400	25	1"	60	55	46	36	27	10	36	345 x 158 x 196	8
LSJ-05E	1/2	400	25	1"	60	55	46	36	27	10	36	345 x 158 x 196	9.1
LSJ-10	1	750	25	1"	75	73	68	60	50	28	42	380 x 158 x 196	9
LSJ-10E	1	750	25	1"	75	73	68	60	50	28	42	380 x 158 x 196	10.1

### Curve

