



CBP

SWIMMING TRAINING PUMPS

- Liquid temperature : 5~50°C / 41~122°F
- HP range : 3HP / 2.2KW
- PH : 6~8
- Rated Speed : 2900 / 3450 rpm
- Protection class : IP55
- Maximum working pressure : 3Kg/cm² / 42.6PSI

Features

1. The pump casing and impeller is stainless steel and engineering plastic. No rusty issue.
2. 4" inlet and outlet, high efficiency flow channel design.

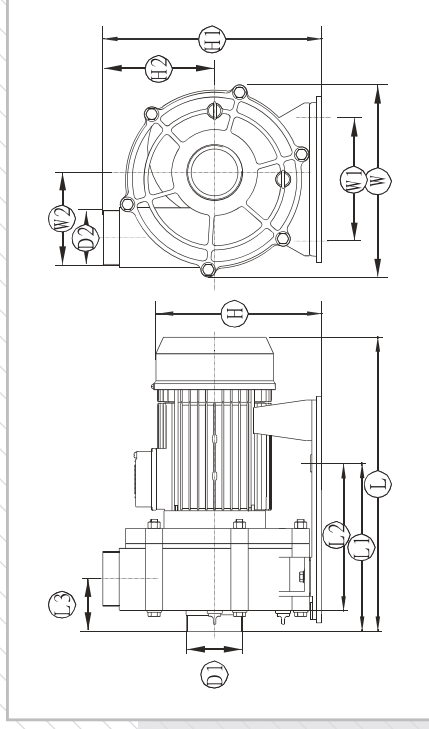
Applications

1. Aquaculture circulation
2. Pool circulation

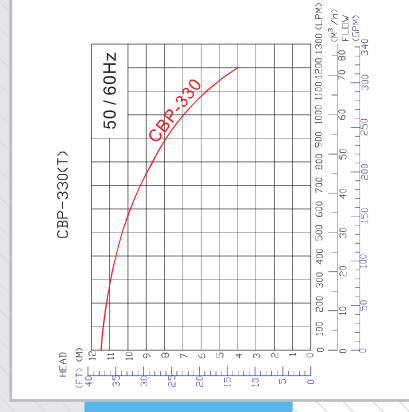


Dimension

Model	A	B	D1	D2	L	L1	L2	W	W1	H	H1	H2
	mm	mm	mm	mm	mm	mm	mm	mm	mm	mm	mm	mm
CBP-330	95	77	110	110	412	245	215	281	180	301	323	167
CBP-330T	95	77	110	110	412	245	215	281	180	274	323	167



Curve



Specification

Model No.	Output HP	Output KW	Inlet mm	Inlet inch	Outlet mm	Outlet inch	Max Flow (LPM)	LPM Flow @ Head	Max Head (M)	Weight Kg
CBP-330(T)	3	2.2	100	4"	100	4"	1200	6M 7M 8M 9M 10M 1080 1000 890 750 580	11.5	24

Standard Accessories

Model	Accessories
CBP-330(T)	Hose connection , nut

